



## QUICK SHIP CHANDELIER PROGRAM

### CONTEMPORARY CHANDELIER

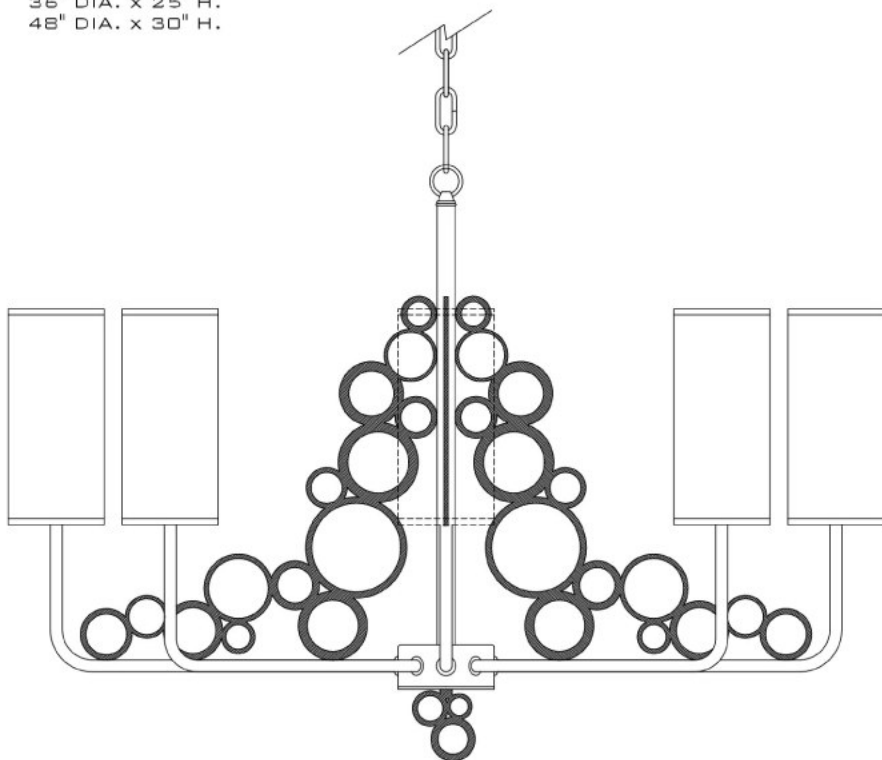
NO. RL-2-0008

24" DIA. x 17" H.

30" DIA. x 20" H.

36" DIA. x 25" H.

48" DIA. x 30" H.



### MULTIPLE STYLES

### TRANSITIONAL CHANDELIER

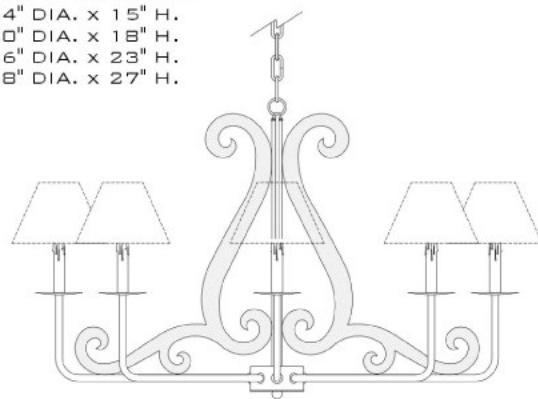
NO. RL-2-0010

24" DIA. x 15" H.

30" DIA. x 18" H.

36" DIA. x 23" H.

48" DIA. x 27" H.



### TRADITIONAL CHANDELIER

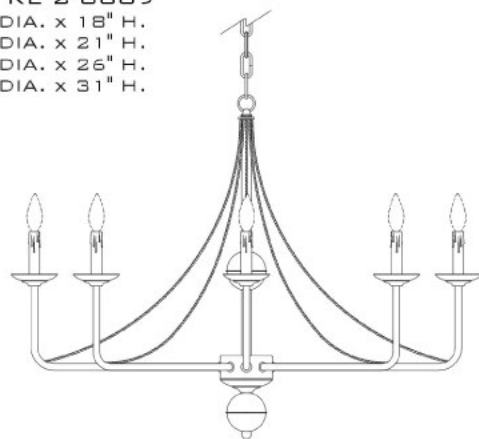
NO. RL-2-0009

24" DIA. x 18" H.

30" DIA. x 21" H.

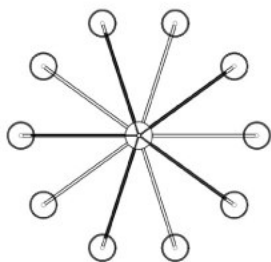
36" DIA. x 26" H.

48" DIA. x 31" H.

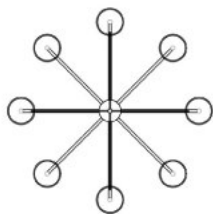


EACH STYLE IS AVAILABLE IN 4 SIZES

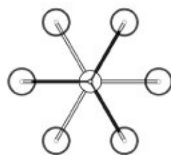
48" DIA.



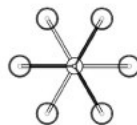
36" DIA.



30" DIA.



24" DIA.



DIMENSIONS SHOWN DO NOT INCLUDE SHADES

### CRAFTSMAN CHANDELIER

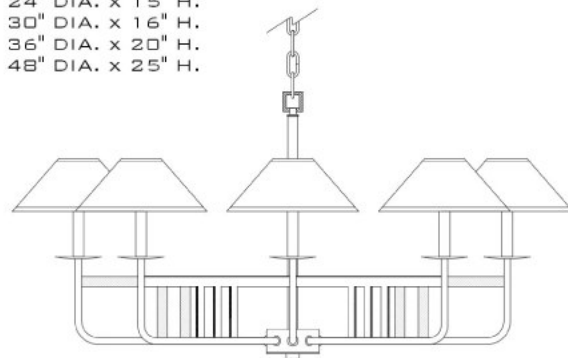
NO. RL-2-0007

24" DIA. x 15" H.

30" DIA. x 16" H.

36" DIA. x 20" H.

48" DIA. x 25" H.

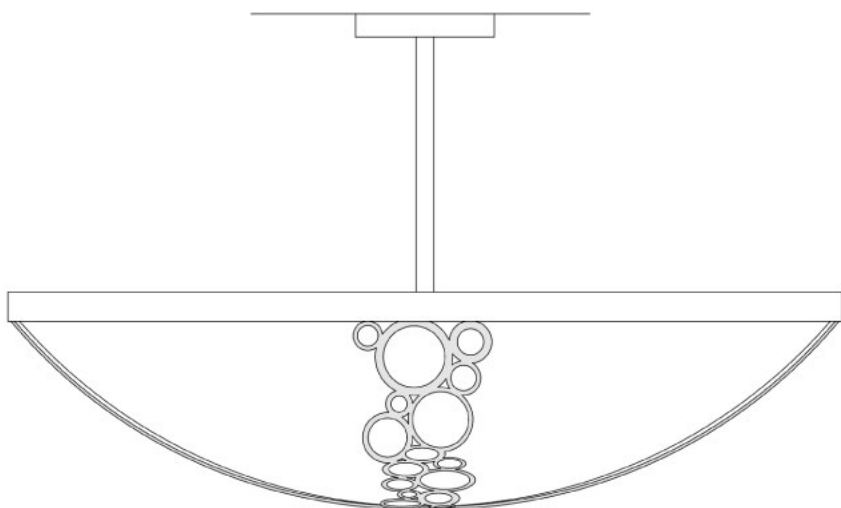




## QUICK SHIP PENDANT PROGRAM

### CONTEMPORARY PENDANT

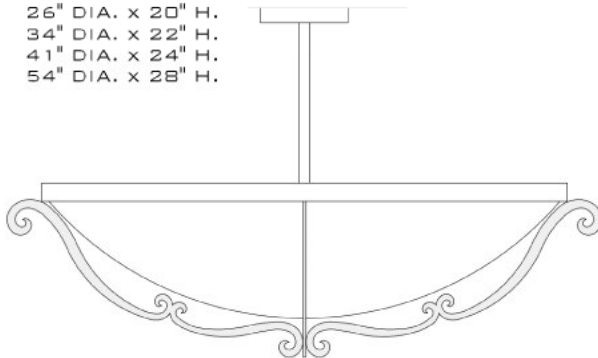
NO. RL-3-0017  
 24" DIA. x 18" H.  
 30" DIA. x 20" H.  
 36" DIA. x 22" H.  
 48" DIA. x 26" H.



### MULTIPLE STYLES

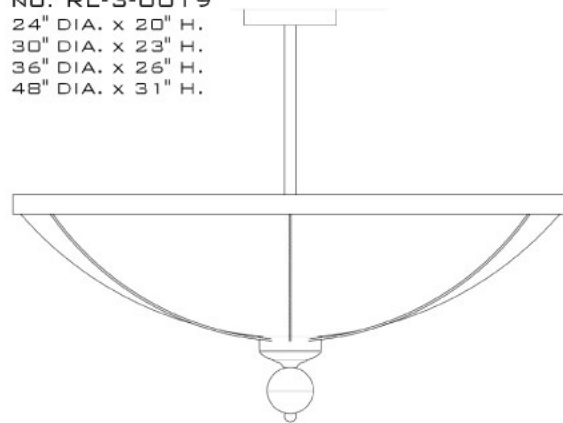
### TRANSITIONAL PENDANT

NO. RL-3-0020  
 26" DIA. x 20" H.  
 34" DIA. x 22" H.  
 41" DIA. x 24" H.  
 54" DIA. x 28" H.



### TRADITIONAL PENDANT

NO. RL-3-0019  
 24" DIA. x 20" H.  
 30" DIA. x 23" H.  
 36" DIA. x 26" H.  
 48" DIA. x 31" H.



EACH STYLE IS AVAILABLE IN 4 SIZES

PENDANTS ARE STANDARD WITH WHITE OPAL ACRYLIC BOWLS

GU24 SOCKETS ARE STANDARD WITH EACH PENDANT

(3) SOCKETS FOR 24" DIA.

(4) SOCKETS FOR 30" DIA.

(6) SOCKETS FOR 36" DIA.

(8) SOCKETS FOR 48" DIA.

48" DIA.



36" DIA.



30" DIA.



24" DIA.



DIMENSIONS WILL VARY PER STYLE, SEE FIXTURE DIMENSIONS FOR APPROXIMATE SIZES

### CRAFTSMAN PENDANT

NO. RL-3-0018  
 24" DIA. x 18" H.  
 30" DIA. x 20" H.  
 36" DIA. x 22" H.  
 48" DIA. x 26" H.

